

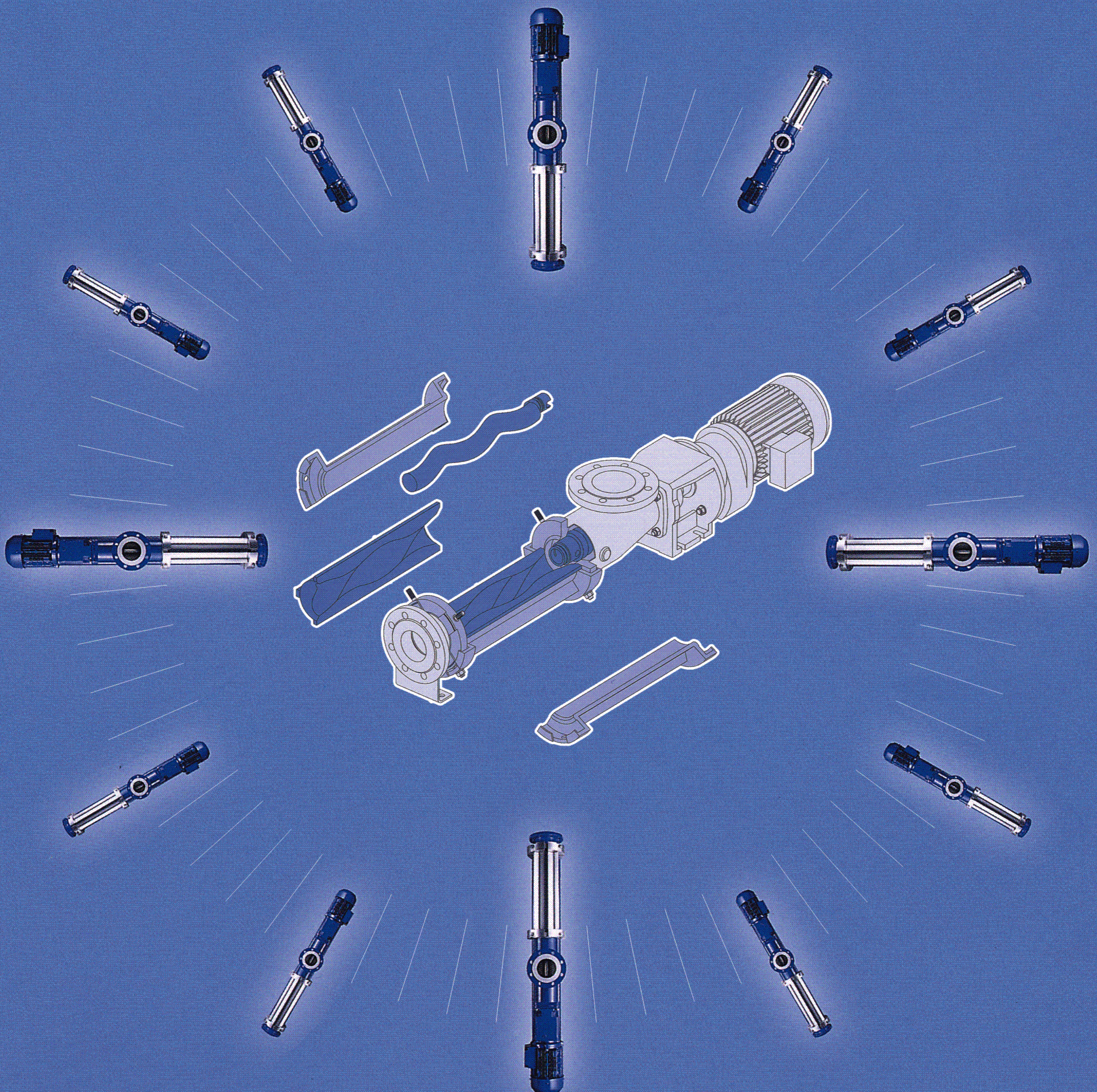
신개념 모노펌프

seepex 모노펌프

Speed Up.
Smart Conveying Technology.

별도 할 일이 없다

- Time Save : 간단 스테이트 로타 교체
- Economy : 접촉 부위만 교체. 에너지 절약
- Piping : 불필요한 배관 생략

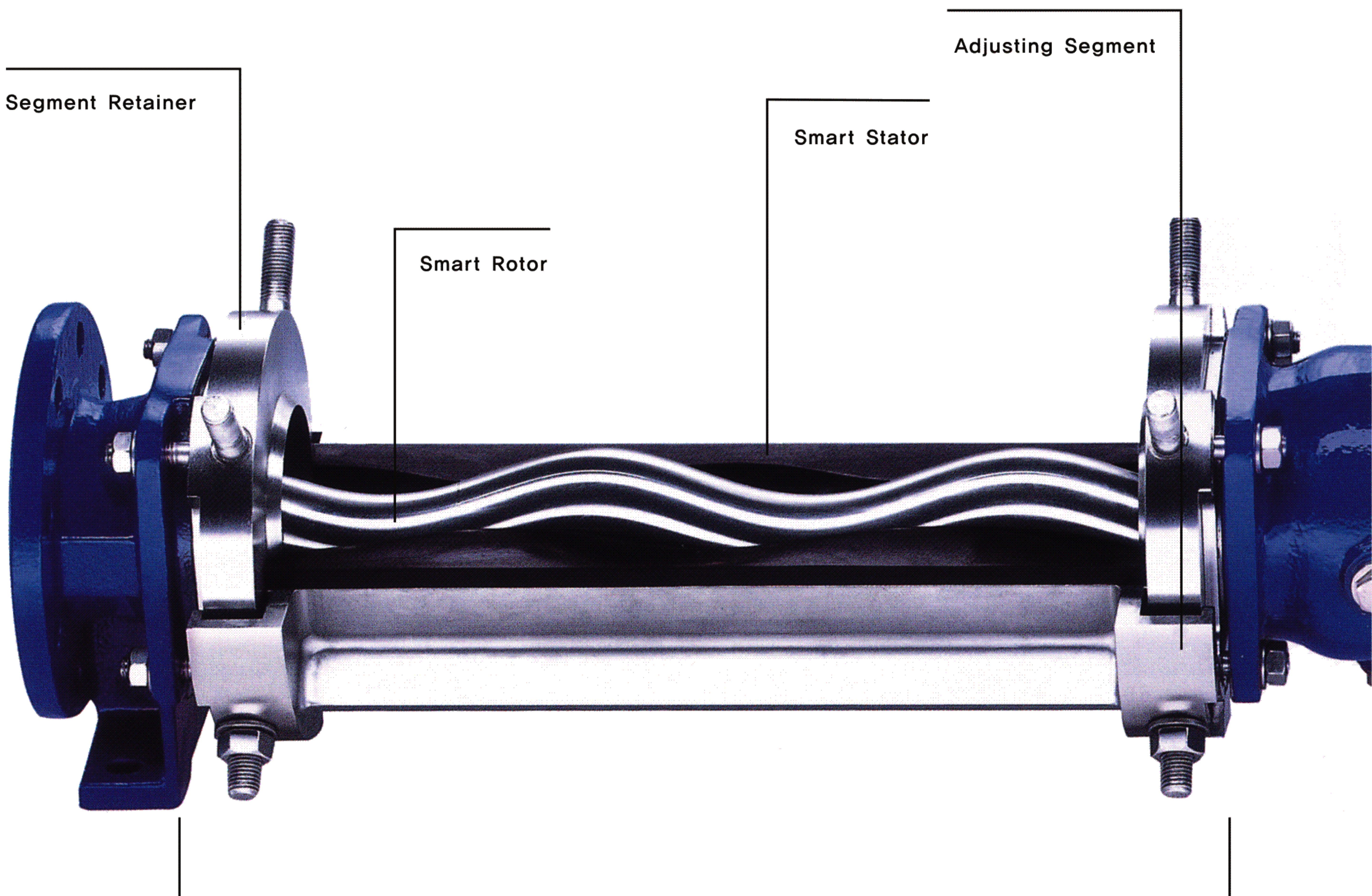


Smart Conveying Technology.

"Smart Conveying Technology" provides the fastest possible maintenance times for your pump. Assembling and dismantling seepex pumps has never been easier, and the life cycle costs of our pumping solutions have never been lower.

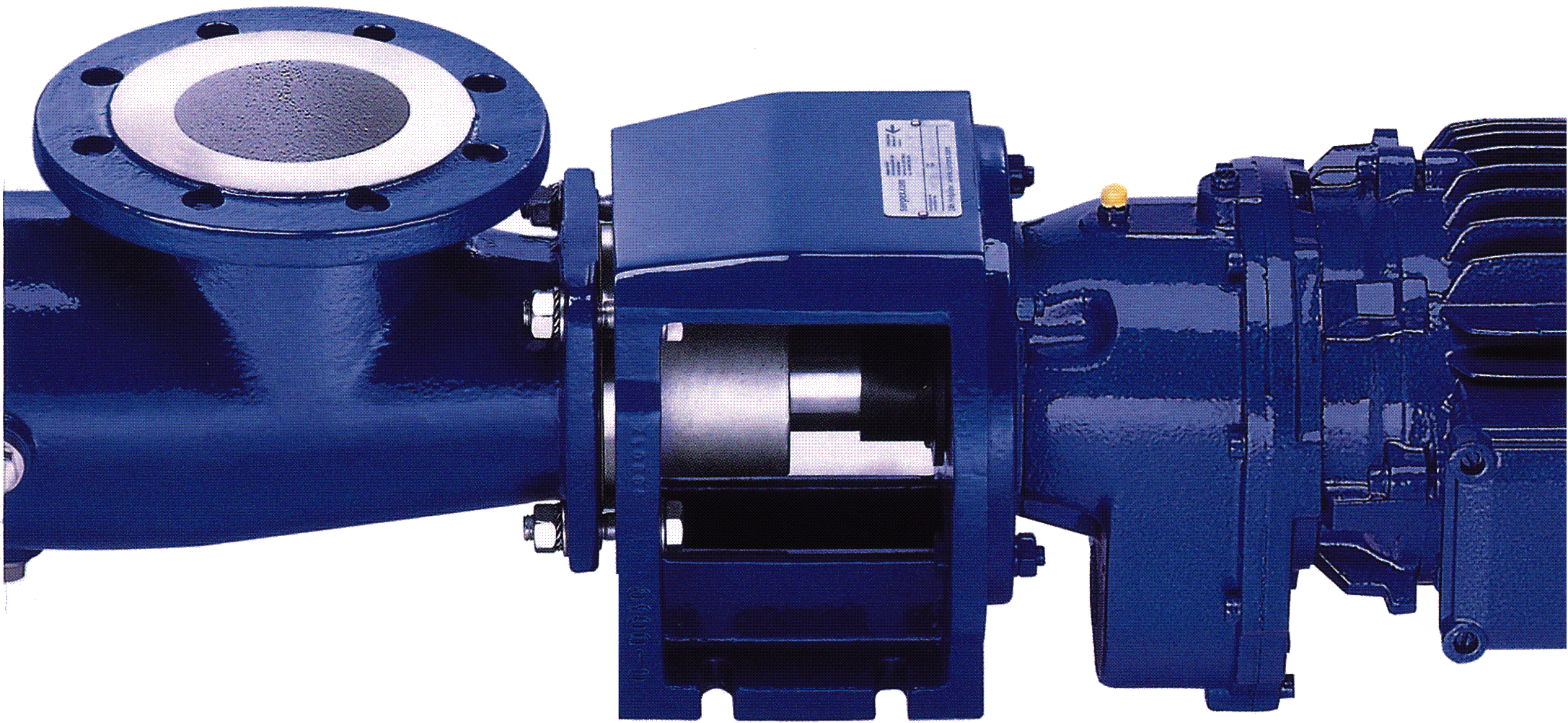
- 신기술, 간단 로타 스테이트 교체
- 수명연장, 유지비용 최소화

Progressive cavity pumps with "Smart Conveying Technology" can transfer a variety of products in almost every fluid process. With this innovation, we guarantee that your conveying product will reach its destination with less cost.

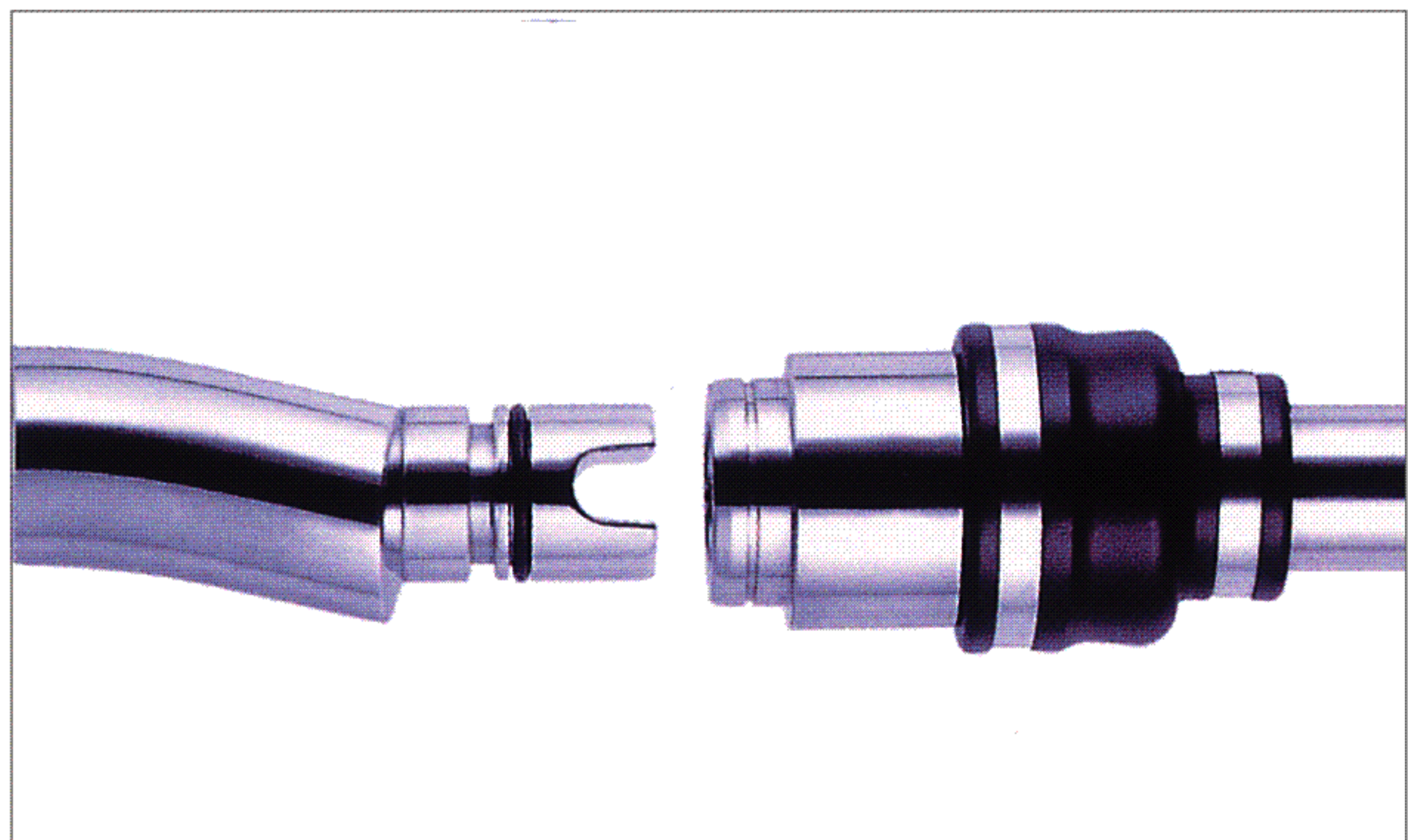


Smart Conveying Technology

Developed to speed up rotor and stator changing and remove blockages and contaminants without dismantling the pipeline



Detail view: the detachable connection of the Smart Rotor



Quick maintenance, long life.

After intensive development work, many prototypes and numerous test runs, we have now perfected our "Smart Conveying Technology" innovation to provide the most time savings possible.

Thanks to ingenious design principles, maintenance work can be performed in a few easy steps on the stator and the rotor. This means that even less manpower and time is required, and further reduces the life cycle costs of our pumps. A pump with this technology also scores point on space requirements, as the maintenance can be carried out without dismantling the pump or pipelines.

Another clever feature is that no special tools are required to do this work. What is more, thanks to the integrated retensioning device, a simple readjustment of the stator increases the service life by up to 30% - and doubles that of the rotor.

With "Smart Conveying Technology", speed and extended service life work together in perfect harmony.

The advantages of our Smart Stator in detail:

- 스테이트의 외부 분해, 조립
- 신개념, 볼트로 조립한다.

Because the stator is separated into halves, all work can be carried out by one person in just a few steps. This makes maintenance child's play.

The advantages of our Smart Rotor in detail:

- 간단 로타 교체
- 손 될 일이 없다.

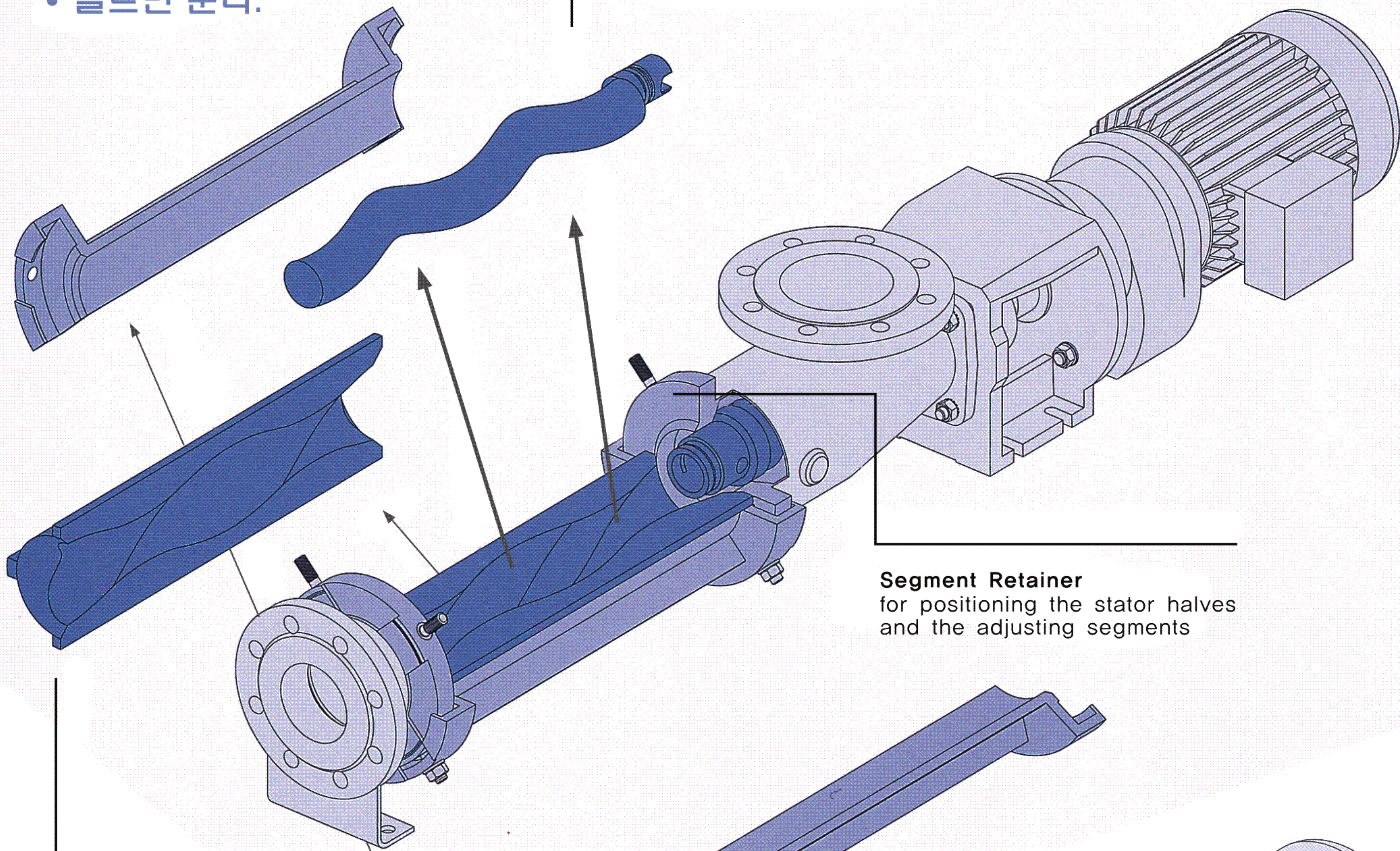
The detachable connection between the rotor and the coupling rod makes changing the rotor quicker and easier. The pump also remains in place, and there is no need to remove the suction casing, pipelines or joint. Assembly is likewise, simple.

Adjusting Segment
for adjustin of the stator
clamping and retensioning
of the stator

- 볼트만 푼다.

Smart Rotor
with detachable connection for
quick assembly/dismanting

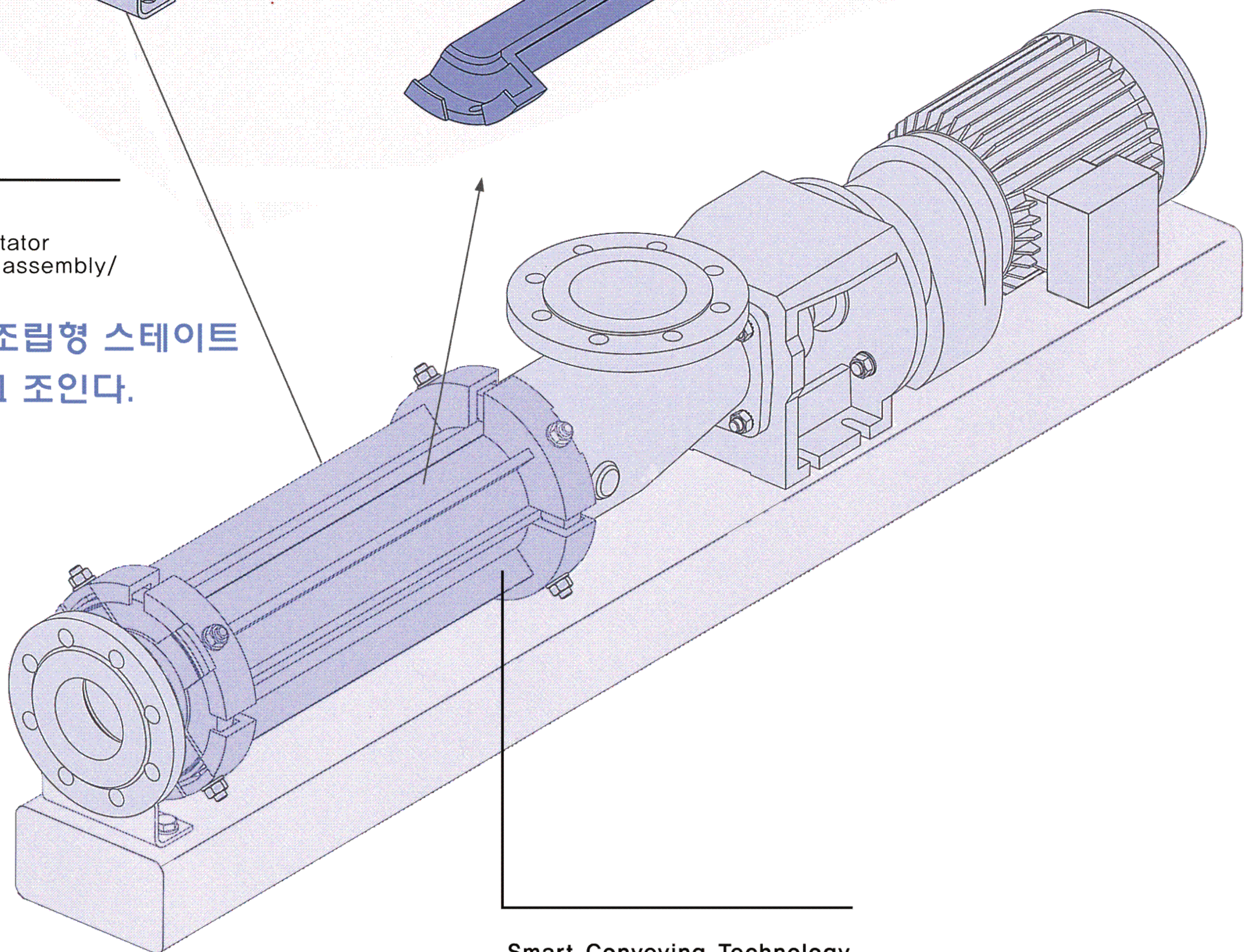
- 로타교체, 손 될 일이 없다.



Segment Retainer
for positioning the stator halves
and the adjusting segments

Smart Stator
consisting of 2 stator
halves for quick assembly/
dismanting

- 외부 분리 조립형 스테이트
- 볼트만 풀고 조인다.



Smart Conveying Technology

Save money.

However, modern technology does more than this: it also reduces the effect on the environment by saving resources and using materials intelligently. It guarantees a reduction in energy consumption and ensures optimum conveyance efficiencies. In view of the constantly increasing costs of energy, human resources and materials, there are not many pumps which can claim to lead such an economic life cycle.

Our pump experts can show you in black and white just how much you could save by using "Smart Conveying Technology".

Conveying solutions from seepex are a reliable investment for the future. This is the strength of high-quality technology. Decades of experience and optimization in all areas of design, manufacturing and application guarantee you a highly individual and optimized equipment recommendation.

“Upgrading to SST has shown real benefits to the process here at Wargrave. A complete rebuild has been replaced with a simple adjustment to restore flow and we have also been able to de-rag and de-ice frozen pumps in a matter of minutes, significantly reducing costs and interruptions to the process. We are very pleased.”

(simon Mattin, Regional Maintenance Manager, Thames Valley East, UK)

Successes like these have helped seepex to demonstrate their expertise which has gained them a re-awarding of the prestigious "Sludge Pumping and Optimisation" contract with Thames Water, UK which depends on the contractors technologies and expertise to improve sludge pumping efficiencies to take costs out of Thames Water's business.

Smart means ...

- Longer service life for rotor and stator thanks to integrated retensioning device
- Extremely easy maintenance due to fast assembly/dismantling of rotor and stator
- High productivity due to short pump maintenance downtime
- Lower spare parts costs for rotor and stator
- Smaller space requirements for all maintenance tasks, as piping does not need removal
- Easy handling during maintenance due to lighter components
- Low transport costs for spare part deliveries due to lighter components
- Environmentally friendly due to separate disposal of elastomer and steel components

WATER FOR THE FUTURE
LAMINAR.CO.KR



서울실 금천구 가산동 60-11 스타밸리 605-1

TEL : (02) 2027-1062 FAX : (02) 2027-1064